

AIRTAP HAND DRYER

373

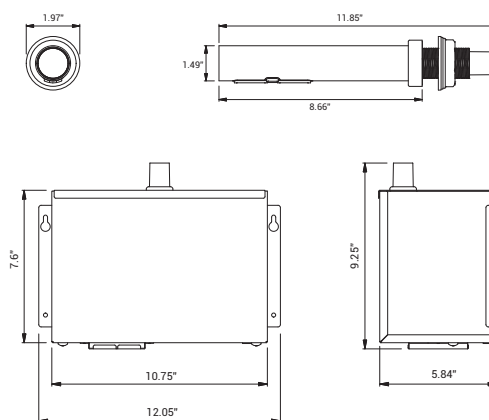
110 V with IR sensor
 Wall-mounted
 Stainless Steel with satin finish
 2-year warranty



AirTap features a minimalist, modern design in stainless steel with satin finish. The intelligent temperature control technology detects the room temperature and adjusts the heating element.

Technical data

Type	AIRTAP HAND DRYER Prod. No.: 373 Touch-less warm-air hand dryer with IR sensor
Dimension tap	H: 1.96" x W: 1.96" x D: 8.66"
Dimension motor	H: 7.99" x W: 12.04" x D: 5.90"
Material	Stainless steel, satin finish
Drying cycle	10-15 sec.
Connection	110 V, 50/60 Hz, Class I
Total wattage	600-1000 W
Heating element	100-500 W
Motor	500 W
Noise level	68,5-70,5 dBA
Max. air capacity	84-101 m/sec
Max. air outlet temperature	134.6 F
Net weight	12.89 lb
IP rating	IP35
Tender text	Touch-less hand dryer in stainless steel with satin finish for wall mounting. Infra-red sensor and electronic timer, drying cycle: 10-15 sec. IP35, 110 V, 50/60 Hz, 1000 W, Class I (earthed). 68.5-70.5 dBA. Net weight: 12.89 lb. H: 1.96" x W: 1.96" x D: 8.66"



Application

AirTap is a powerful hand dryer suitable for toilet rooms with a high visitor frequency. With its elegant slim design, the hand dryer is the perfect choice for toilet rooms with a behind-mirror solution. The DAN DRYER Tap range is an ideal build-in solution for construction projects and automatic hand wash stations.

References

Shopping centres, restaurants, hotels, airports, sports facilities, schools and public institutions.

Standard colour

Stainless steel, satin finish.

Activation

Infrared sensor and electronic timer. Touchfree. Activation distance adjustable 5.11" (\pm 0.78"). Automatic stop after 60 seconds of continuous use.

Motor type

Commutator motor with carbon brushes. 22,000-29,000 revolutions/min.

Protection

Automatic thermal cut-out in both motor and heating element.

Installation

Machine intended for wall mounting. Connection to fixed installation or via circuitbreaker. Installation must be carried out by a qualified electrician.

Approval

